

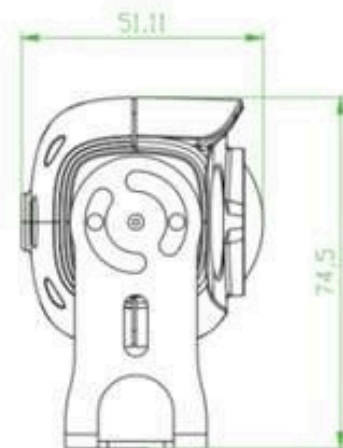
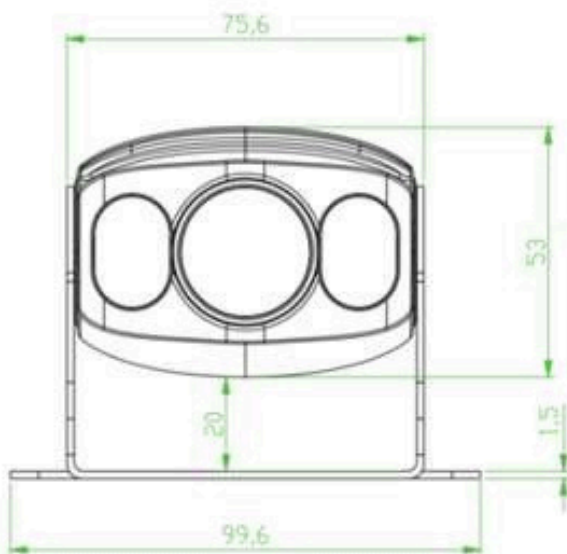
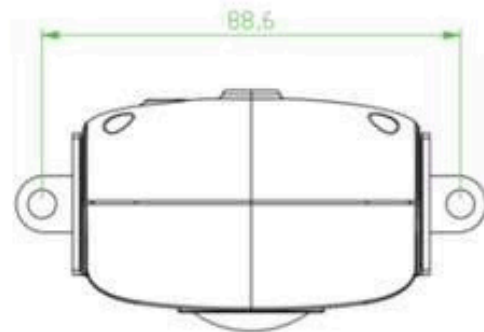
# C321

## Rear camera

- GC2053 CMOS Sensor
- 1/2.9 HD Resolution: 2MP: 1920X1080
- AHD 1080P output as default
- Aviation cable, DC12V power supply
- IP69K structural waterproofing



Beyond its wide viewing angle and exceptional weather resistance, the C321 rearview camera delivers clear images with accurate color reproduction, making it an ideal choice for enhancing rearward visibility.



## Specifications

---

Sensor	1/2.9"CMOS
Image Pixel	1920(H) × 1080(V)
Video signal	AHD
System	PAL/NTSC
Mini Illumination	0lux(IR ON)
Shutter speed	AUTO/ 1/50 (1/60) -1/100,000sec
ICR	Professional vehicle IR CUT
WDR range	Digital WDR
White Balance	Automatic tracking
Gamma Correction	0.45
Mirror	Support
IR distance	15M
Back compensation	Support
Lens	2.2mm FOV(D): 170°, FOV(H): 135 ° , FOV(V):100°
Temperature	-40°C-- +70°C
Humidity	10% - 90%
Power	DC 12V
Waterproof grade	IP69K
Consumption	<3w
Weight	270G