

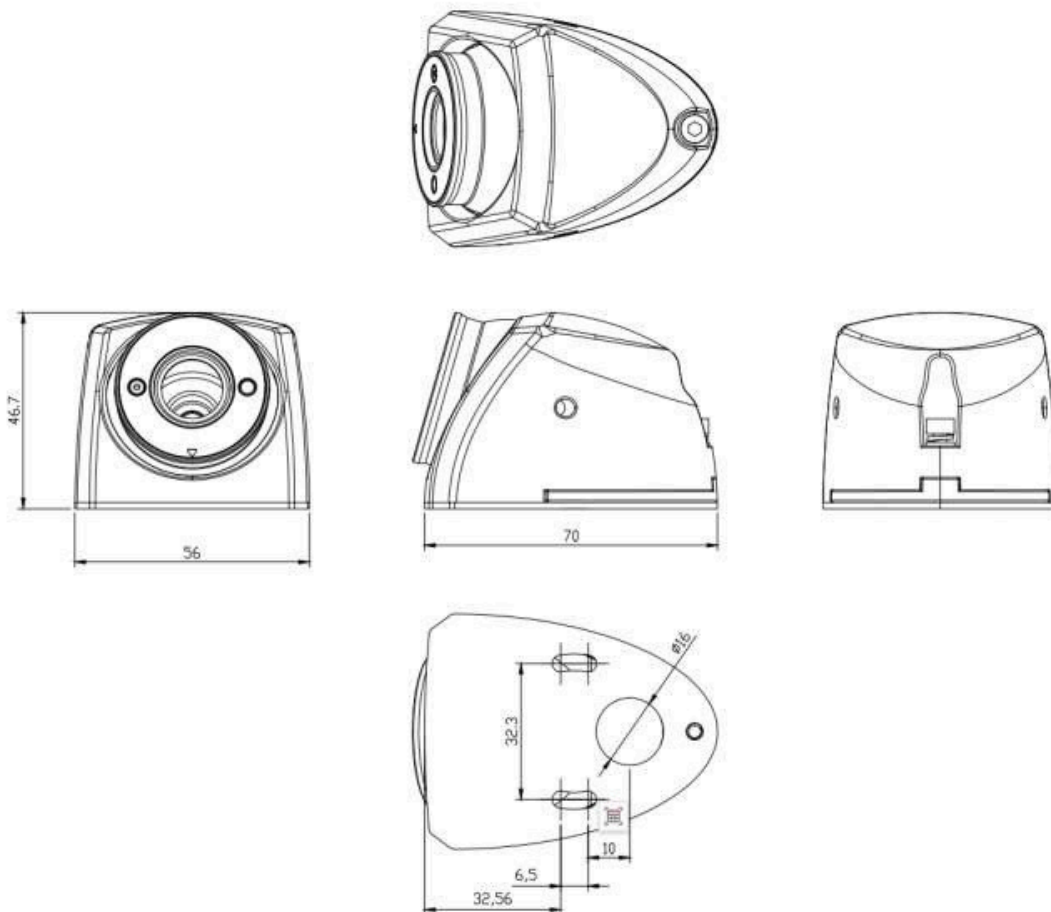
C37K

Side camera



- 1/2.8" HD MX307LQR CMOS Sensor
- Resolution: 2MP:1920X1080 AHD
1080P output as default
- Aviation cable, DC12V power supply
IP69K structural waterproofing
- Sony IMX307, Starvis 1.0

The C37K is a small form factor, high-definition camera tailored for side-view vehicle applications. Its advanced imaging capabilities make it ideal for Blind Spot Detection (BSD) systems, enhancing driver awareness and safety.



Sensor	1/2.8"CMOS(IMX307LQR)
Image Pixel	1920(H) × 1080(V)
Video signal	AHD
System	PAL/NTSC
Mini Illumination	0lux(IR ON)
Shutter speed	AUTO/ 1/50 (1/60) -1/100,000sec
ICR	Professional vehicle IR CUT
WDR range	Digital WDR
White Balance	Automatic tracking
Gamma Correction	0.45
Mirror	Support
IR distance	10M
Back compensation	Support
Lens	2.2mm FOV(D): 170°, FOV(H): 135 ° , FOV(V):100°
Temperature	-40°C-- +70°C
Humidity	10% - 90%
Power	DC 12V
Waterproof grade	IP69K
Consumption	<3w
Weight	190G