

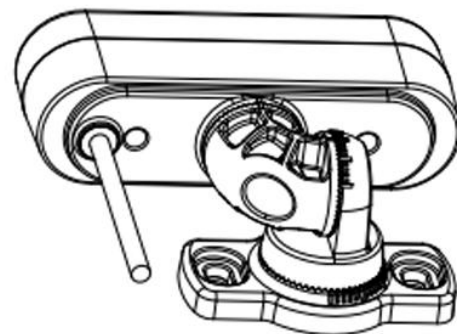
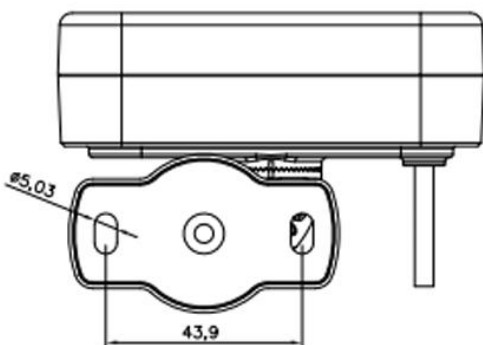
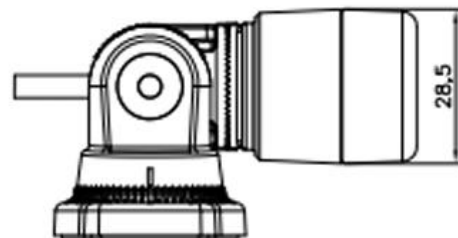
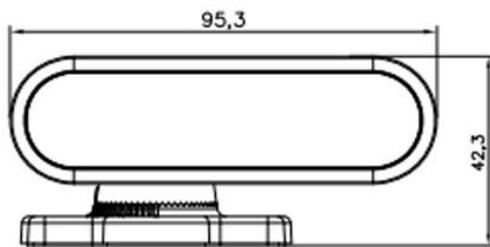
D64H

DMS camera



- Mountable on the vehicle A-pillar
- HD Resolution: 1920X1080/1280X720
- AHD 720P output as default
- Aviation cable, DC12V power supply
- IP66 structural waterproofing

The D64H is a DMS camera designed to be mounted on the A-pillar of a vehicle. Compared to traditional DMS cameras, the D64 offers the advantage of not obstructing the driver's view. Additionally, its multi-angle adjustment feature allows it to adapt to various vehicle installation angles, resulting in improved image quality.



Sensor	S6 1 /2.7"200W CMOS Sensor
Image Pixel	1280(H)*720(V)/1920(H) × 1080(V)
Video signal	AHD
System	PAL
Pixel size	3.0um*3.0um
Lens/sensor distortion angle	-5%
Focal length	6mm
WDR range	85dB
Frame rate	25
Image mode	Black and white image
Mirror	Support
IR distance	0-1.2M
IR wavelength	940nm
Lens	F2.0 D=65° H=56° V=31°
Temperature	-20°C-- +70°C
Humidity	10% - 90%
Power	DC 12V
Waterproof grade	IP66
Consumption	<1.8w
Weight	120G